



# A302

## ELECTRIC OPERATING TABLE

Registration code: SKL-A



**Healthward**<sub>uk</sub>

Healthier  
your life

# A302

## FEATURES AND HIGHLIGHTS



### Technical parameters

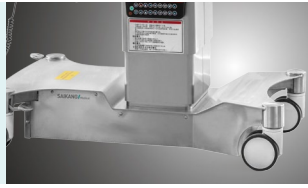
External size (LxWxH):	2150x555x(700-1000)mm
Reverse trendelenburg:	0-25°
Trendelenburg:	0-25°
Lateral tilt left/right:	0-25°
Head plate up/down:	45°/90°
Head plate Height adjustment:	70mm
Back plate up/down:	70°/22°
Leg plate up/down:	15°/90°
Leg plate outwards:	90°
Kidney bridge elevation:	0-110mm
Horizontal sliding:	0-350mm
Safe working load:	275kg
X-rays translucent:	YES
C-arm compatible:	YES
Multi-functional orthopedic frame:	YES

### Technical configuration

<input checked="" type="checkbox"/> Bed frame	1pc
<input checked="" type="checkbox"/> Mattress	1set
<input checked="" type="checkbox"/> Anesthesia screen frame	1pc
<input checked="" type="checkbox"/> Shoulder holder	2pcs
<input checked="" type="checkbox"/> Arm holder	2pcs
<input checked="" type="checkbox"/> Leg support	2pcs
<input checked="" type="checkbox"/> Foot support	2pcs
<input checked="" type="checkbox"/> Hand controller	1pc
<input checked="" type="checkbox"/> Sliding block	8pcs
<input checked="" type="checkbox"/> Spanner	5pcs

**Material**

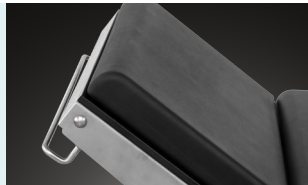
The base material for the table is high thickness 304 stainless steel, seamless welding by robot, with modern appearance and more stable.

**Mattress**

Polyurethane foam mattress, waterproof and seamless, avoid liquid in. The connection between table and mattress is buckle joint, easy to disassemble and install, easy to clean.

**Head plate**

Head plate is with imported gas spring for easy control.

**Kidney bridge**

Manual kidney bridge, operate by head side rocker, more convenience.

**Horizontal sliding**

Extra horizontal sliding, distance 350mm high strengthen phenolic resin table surface, C-arm and X-ray compatible.

**Dual control system**

All functions controlled by both hand controller or control panel on table base column. With action LCD display on hand controller, easy to operate. With control panel on table base column, in case of emergency hand controller failure.

**Leg plate**

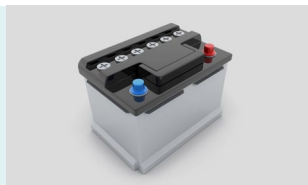
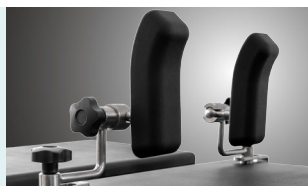
The up and down folding actions of the leg plate are all completed by electric. The leg plate is removable, effortless and smooth.

**Castors**

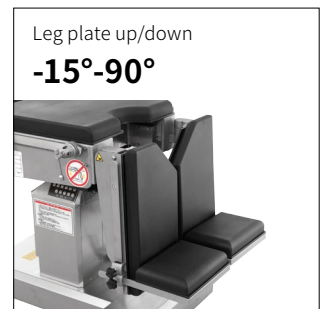
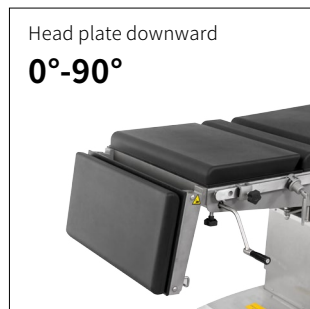
HAION brand castors, each load bearing is 250kg, smooth and noiseless movement, with longer service life. Pedal brake, easy to move and lock. Unique switch design.

**Battery could support**

Battery could support about 80-120 complete operation cycles. Working time could be last for one week according to useage and help to keep the operating table running in the event of power failure.

**Armrest****Anesthesia Frame****Leg Crutches****Shoulder Support****Body Supporter**

Professional functions





## CONSTANT INNOVATION



Design



Research



Manufacturing



Maintenance



Service



## WORLDWIDE BRANCHES

### USA

**Saikang Medical Technology, Inc.**  
17800 Castleton St Ste 180,  
City of Industry, 91748, California.  
Tel.: +1 949648 2776

### United Kingdom

**UK Healthward International Ltd.**  
Dept. 111, 196 High Road Wood  
Green, N22 8HH, London.  
Tel.: +44 2032399738

### Russia

**Saikang Medical Russia LLC**  
Truda 174,  
454080 Chelyabinsk.  
Tel.: +7 (351) 214 5566 / 8811 / 1516

### East Africa

**Saikang Medical Solutions Ltd.**  
Viraj Complex Unit 3, Mombasa  
Road, P.O. Box 14262-00800, Nairobi.  
Kenya.  
Tel.: +254 733 704 690

### Middle East

**Saikang Medical Supplies LLC**  
X22-S03 England Cluster,  
International City, Dubai,  
United Arab Emirates.  
Tel.: +20 128 8962497

# Healthward<sup>uk</sup>

Chengdu Saikang Medical Equipment Co., Ltd.  
STOCK CODE: 870098

📍 No.1, 5th Floor, Building 5, No.360, Wuke West 5th Road ·  
Wuhou District (Chengdu) · China

☎ +86 18021231901 · 🌐 24/7

✉ export@health-ward.com

🌐 www.health-ward.com



Company video



General catalogue